



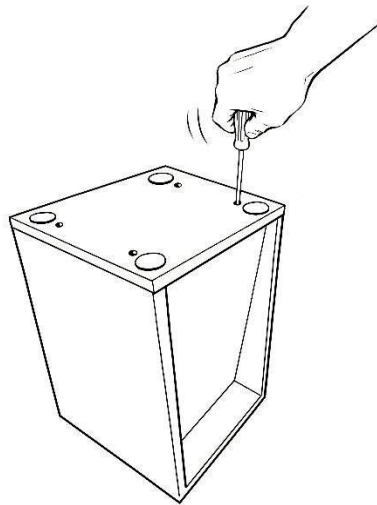
MAINTENANCE AND CLEANING

Before cleaning, disconnect the power cord of the device from electrical circuit.

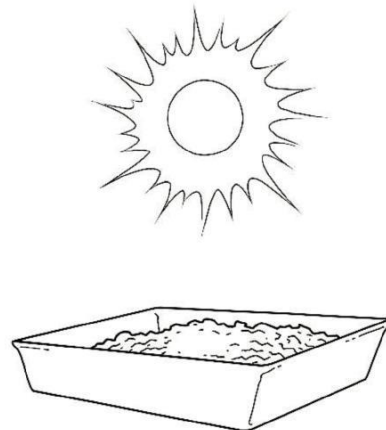
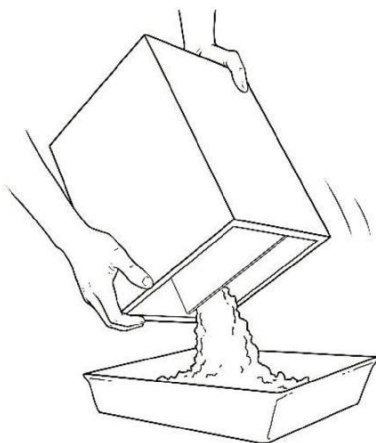
Always make sure to fill the activated carbon compartment completely but not over the edge of the device. Failing to do so can cause the bottom not to close properly and thus affect the device performance.

Use only activated carbon recommended by the manufacturer.

Unplug the odour neutraliser from electrical circuit. Carefully turn the device around and place it on soft ground upside down. Unscrew 4 screws on the bottom of the device and remove the bottom.



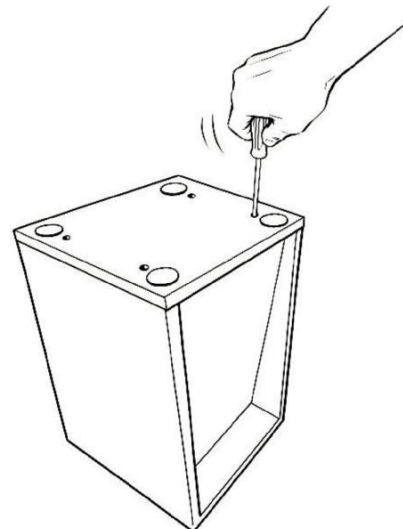
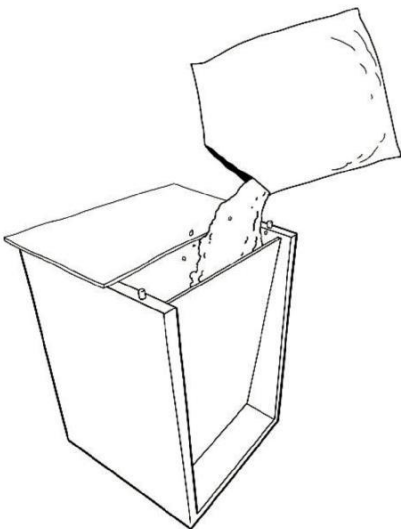
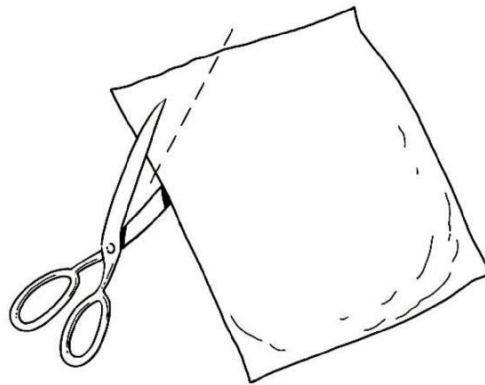
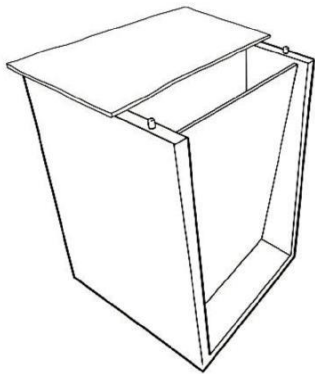
Carefully turn the device around and shake activated carbon into prepared box. In the case of activated carbon cleaning, shake the box for some time so the dust and other pieces of dirt will fall to the bottom of the box. The activated carbon can be put in the sun for 4 -6 hours. In this process, the carbon regains its capacity to absorb various substances from the air. In the case of replacing the activated carbon, throw the spent activated carbon in the trash.



Cover the device so that only the chamber for activated carbon remains open.

Cut the bag of activated carbon as shown in the figure. Gradually fill the chamber with activated carbon, gently press the activated carbon several times and shake the device so that the activated carbon is completely settled.

Carefully fill the chamber all the way to the top, put on the bottom piece and screw back the screws.



The device is ready for use.